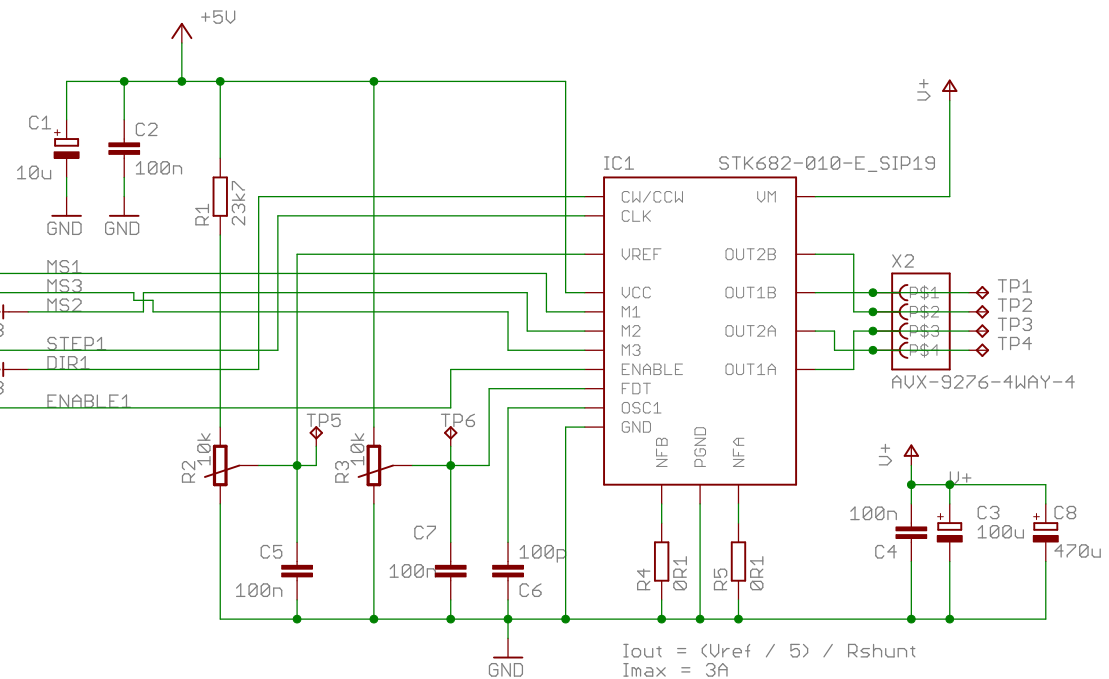
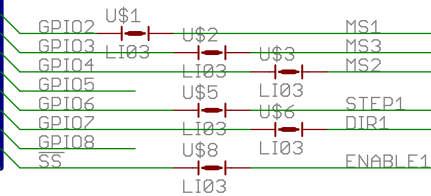


GPIO	MODULE
GPIO1 <SS>	ENABLE
GPIO2	MS1
GPIO3	MS3
GPIO4	MS2
GPIO5	RESET
GPIO6	STEP
GPIO7	DIR
GPIO8	SLEEP



$$I_{out} = (U_{ref} / 5) / R_{shunt}$$

$$I_{max} = 3A$$

$$R_{shunt} = 0.10\Omega$$

$$P_{shunt} = 0.1 * 3 * 3 = 0.9W$$

$$U_{refMax} = 1.5V$$

DICE-STK

TITLE: Dice-STK-V1

Document Number:

REV:

1

Date: 16.05.2014 17:00:52

Sheet: 1/1