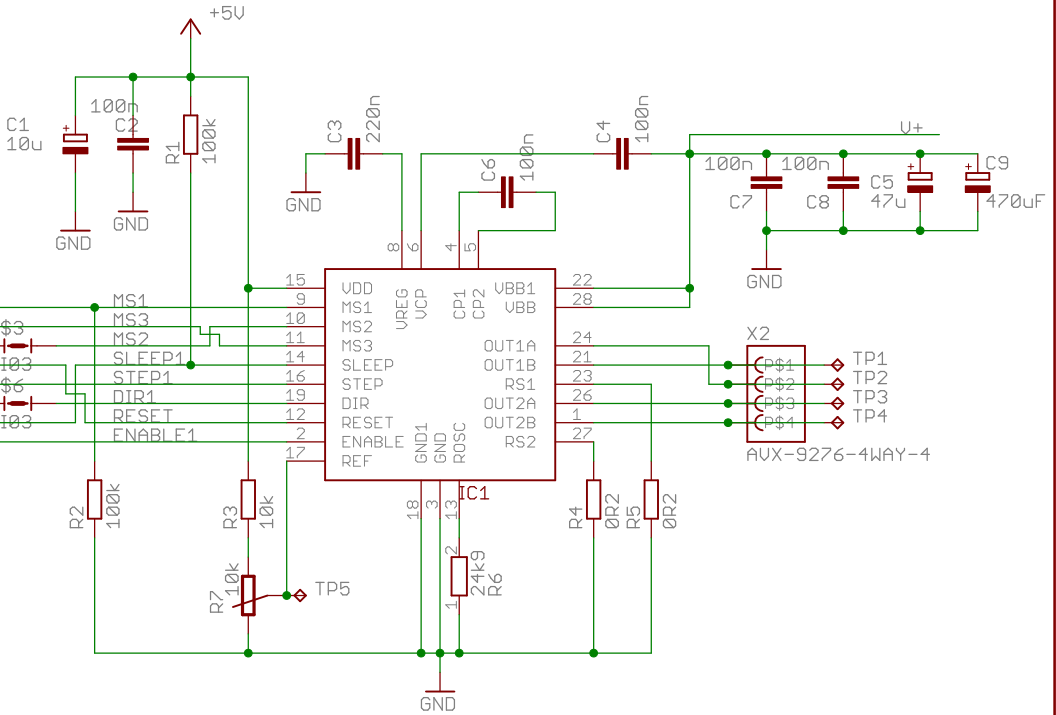
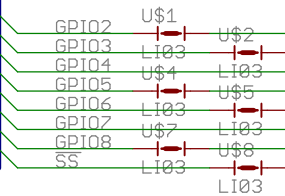


| GPIO | MODULE |
|------------|--------|
| GPIO1 (SS) | ENABLE |
| GPIO2 | MS1 |
| GPIO3 | MS3 |
| GPIO4 | MS2 |
| GPIO5 | RESET |
| GPIO6 | STEP |
| GPIO7 | DIR |
| GPIO8 | SLEEP |



DICE
 NO PC
 2PrintBeta

| | |
|---------------------------|------------|
| <h1>DICE-A4988</h1> | |
| TITLE: Dice-A4988-V1 | |
| Document Number: | REV: 1 |
| Date: 16.05.2014 16:59:59 | Sheet: 1/1 |